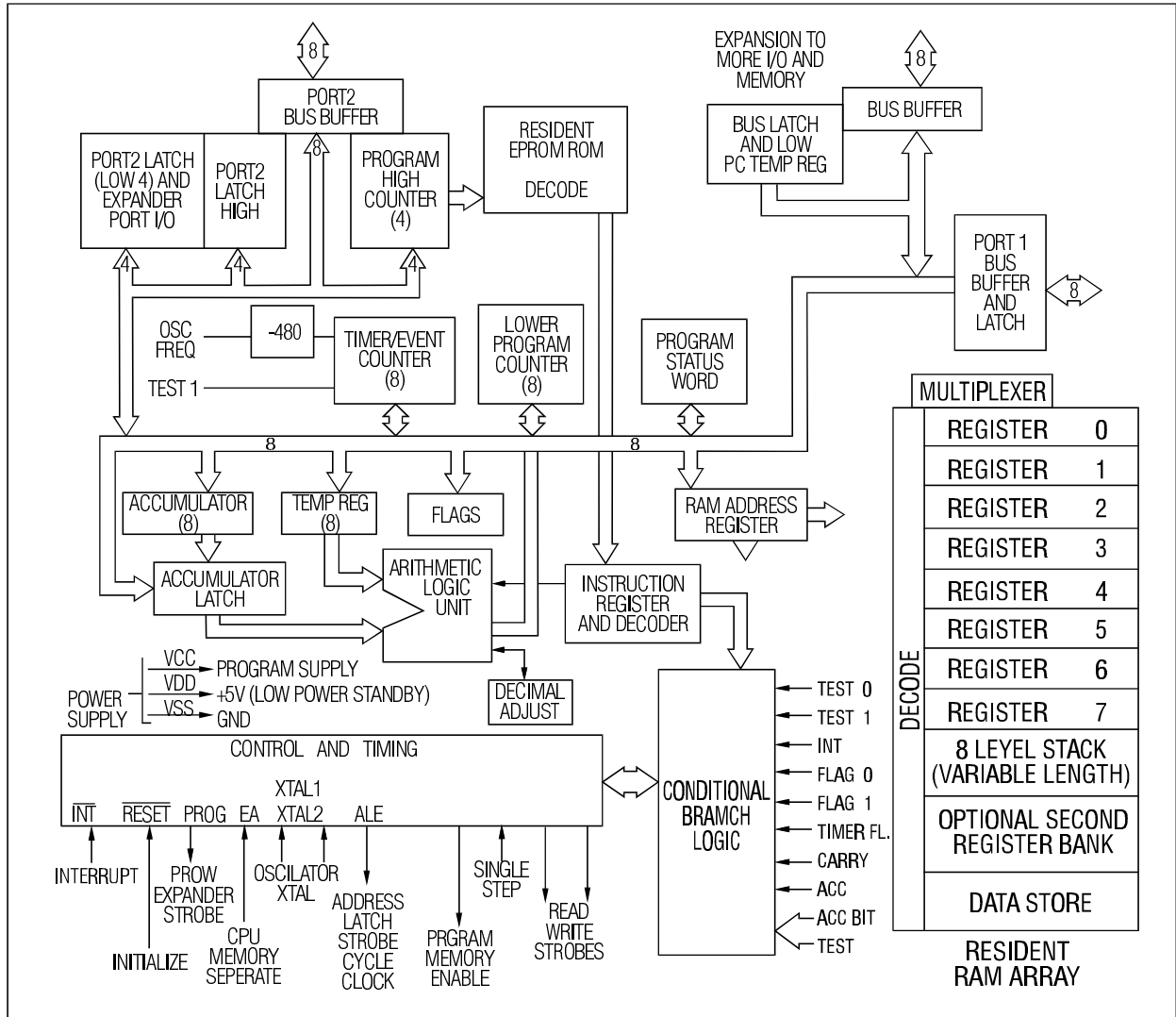
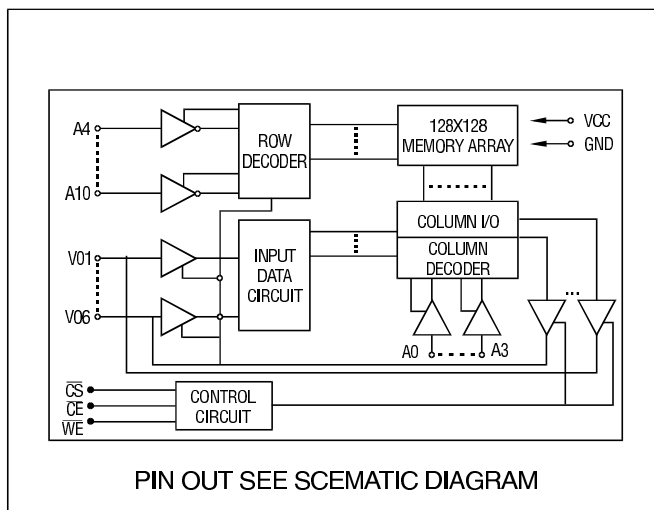


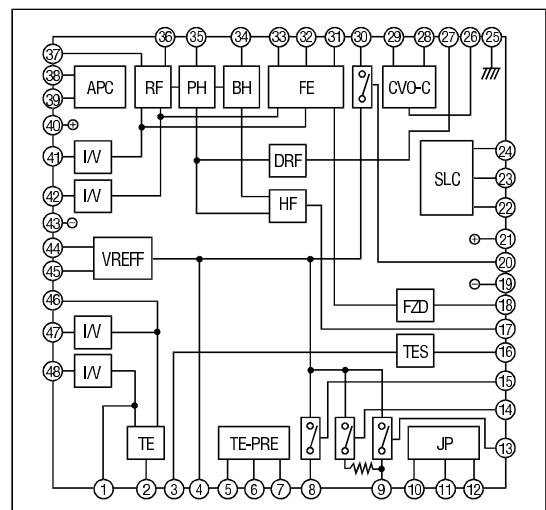
P8050AH BLOCK DIAGRAM



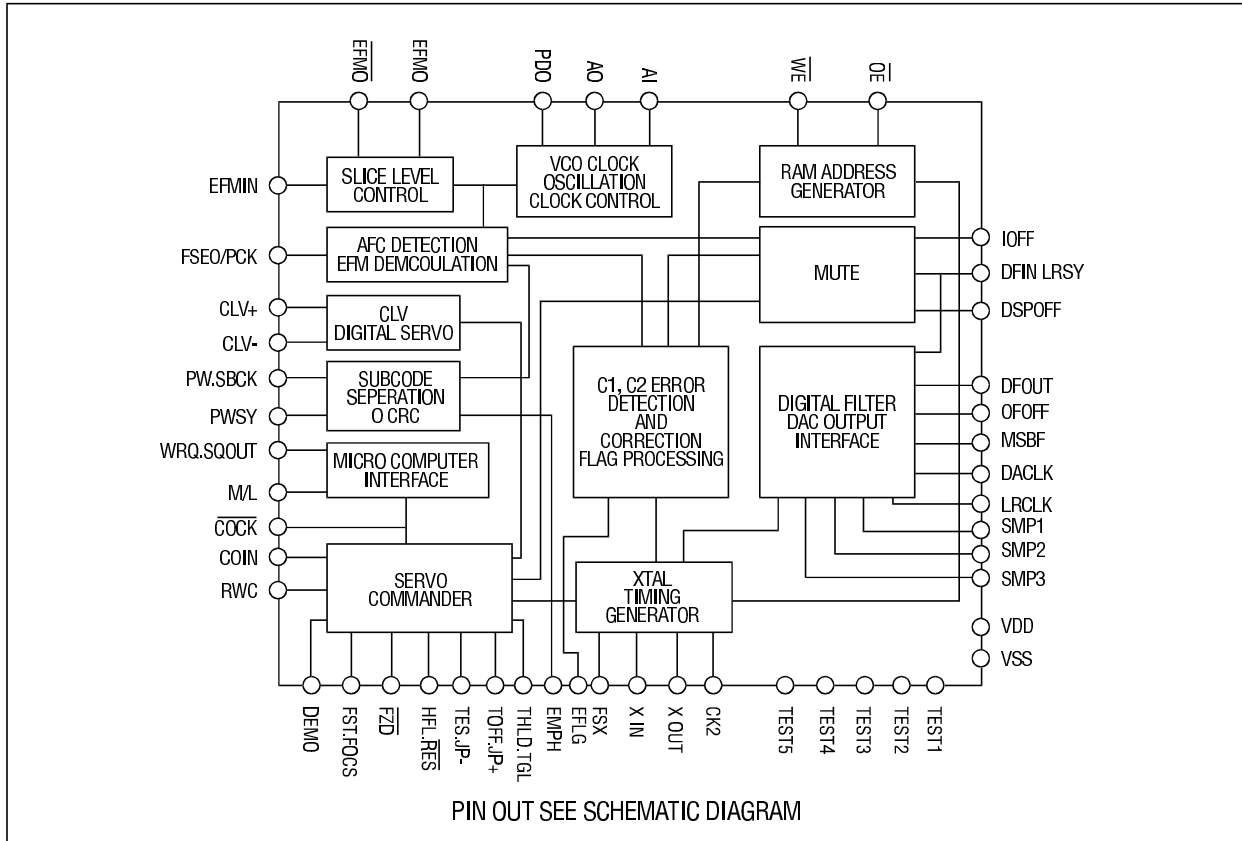
HM6116-90 BLOCK DIAGRAM



LA9200N BLOCK DIAGRAM



LC7860K BLOCK DIAGRAM



LC7881 BLOCK DIAGRAM

